

Options

Lock

Measured Fill

hold 3 sec hold 3 sec hold 3 sec
Calibrate Measured Fill Cooling Off

WATER COMPONENTS

ASSEMBLIES
BESPOKE KITS
FLOOD PREVENTION
PRESSURE REDUCING VALVES
JOHN GUEST
HOSES & TUBING
MAINS LEADS & ELECTRICAL
INSULATION
SANITISING
DESCALING

GLOVES
CLOTHS & TOWELS
WATER FILTERS
UV
RETROFIT
CO2 REGULATORS
FAUCETS
WATER METERS
CUP DISPENSERS
PUMPS



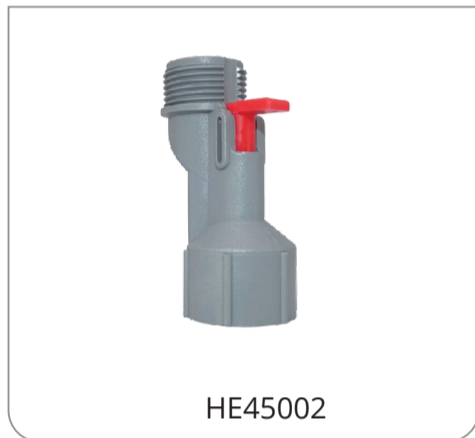
Assemblies



Bespoke Kits



Flood Prevention



Pressure Reducing Valves



John Guest



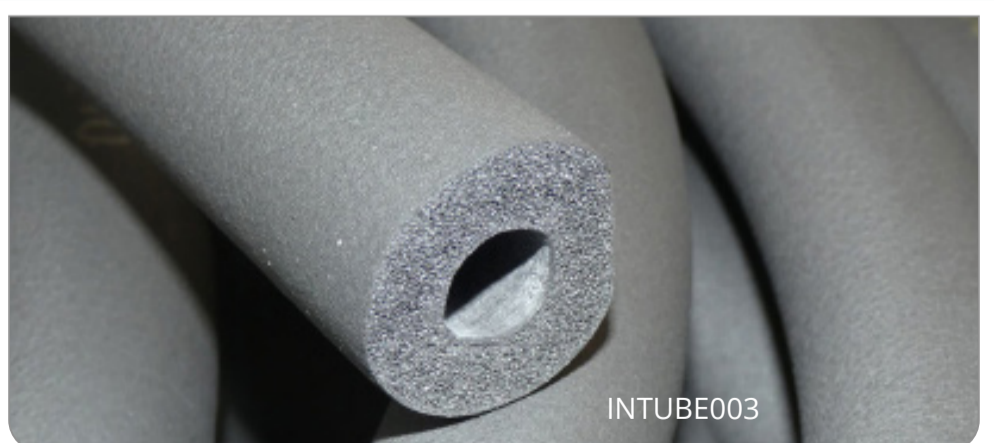
Hoses & Tubing



Mains Leads & Electrical



Insulation



Sanitising



AQC001

BIO003



AQC003

AQC004



Descaling

DESCAL002



AQC009



Gloves



GLOVE003



GLOVE007



Cloths & Towels



CHI-744605



HR063

Inline Filters



FLTABC4-1/4JG

Omnipure



FLTK2586JJ

3M



FLT70020252188



FLT7100337796

Everpure



FLT9601-00

BRITA



FLT1010734

UV



G8-T5-PHIL

Retrofit



FLT007

CO2 Regulators



REG20009

Faucets

FAUK-042



ACSMET133

FAU2403



Water Meters



SKU:ALFA-SJ-SDC15

Cup Dispensers

ACSCDS/W



ACSCDS/B



Pumps



FLO001/UK



ABB800/SHU



PR3BZ

Services

With a fully-kitted, in-house workshop facility, we provide a wide range of specialist services.

With over 30 years' experience, we have a highly-skilled team and are always looking to take on new projects. Whatever your application, we will ask you about your requirements, and find a bespoke solution perfect for you.

Our facility operates in two main areas production and remanufacturing.

Production

Our production services aim to make your manufacturing and installations easier - saving you time and money.

Our Kitting services place all the necessary components in packaging dedicated to making your engineer's job seamless, with all parts in the right order.

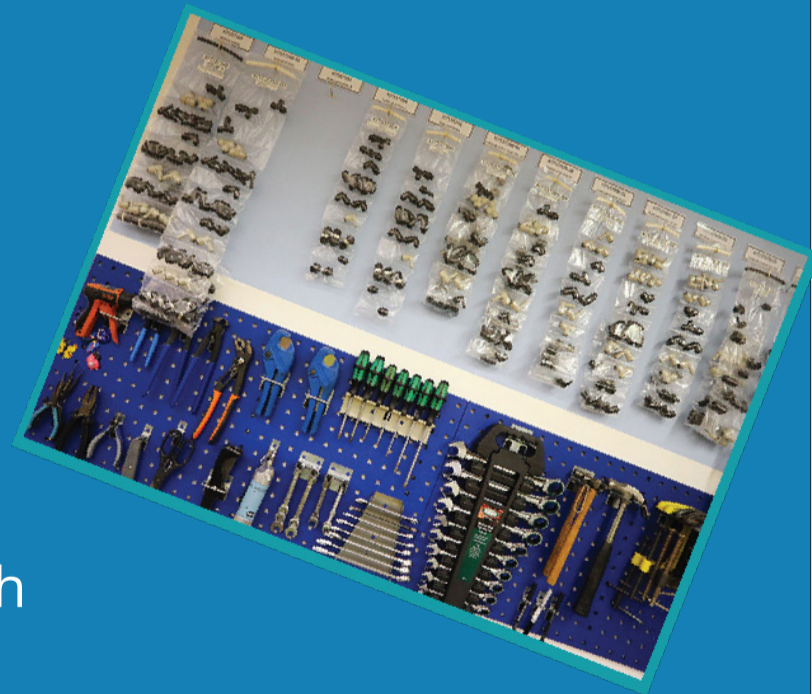
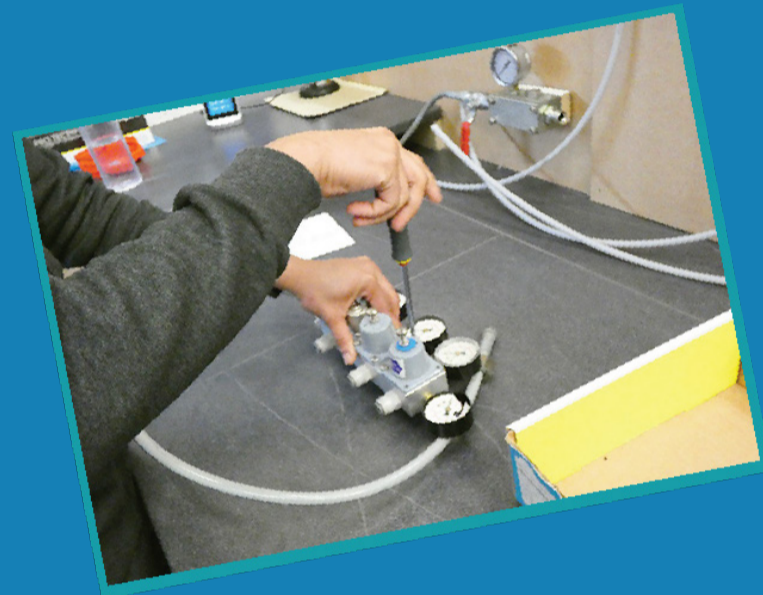
We also provide custom sub-assemblies, cutting down your order to just a single part number.

Remanufacturing

We remanufacture and test to factory standard with a 12-month warranty on all work completed.

Our remanufacturing services include CO2 Regulators, Rotary Vane Pumps, Motors, Chillers, Carbonators and Boilers. However, we are always looking to take on new projects of any size.

To enquire about booking our services, please scan the QR Code.



NEED HELP SOURCING THE RIGHT COMPONENTS?

We are a value-added distributor to the Water, Vending, Coffee, Soft Drinks and Beer dispense markets. A onestop shop specialising in components such as filters, pumps, hoses, valves, cleaning products and tubing. We stock industry-leading brands like John Guest, 3M, BRITA, Everpure, Flojet, Shurflo and Bioguard.

We also have a fully-kitted workshop facility, providing a wide range of specialist services from refurbishing Wunder-Bar and Schroder Barguns to industry-leading Sisme motors, Rotary Vane Pumps, Chiller Units and CO2 Regulators. Thanks to our team of experts, we can also tailor our services to meet your specific needs - just let us know what you need!

Aside from remanufacturing, we build and test a wide variety of assemblies and sub-assemblies for OEMs and operators, and have a team dedicated to bespoke kitting services to save you time and money.

Our Remanufacturing Services

- Wunder-Bar & Taprite guns
- CO2 Regulators
- Coffee Machine Modules
- Rotary Vane Pumps
- Soft Drinks Chillers
- Motors
- Boiler valves
- Boilers
- Carbonators - **NEW!**
- Milk Fridges - **NEW!**

Our Other Services

- Sub-assemblies
- Pre-setting & Testing
- Complex Builds
- Bespoke Kitting
- Bespoke Stocking Solutions
- Product Sourcing Services

FOR EXPERT ADVICE ON ANY WATERCOOLER PRODUCT,
CALL US ON 01367 711 900, EMAIL YOUR INQUIRY TO
SALES@ABBEYCHART.CO.UK OR VISIT OUR WEBSITE

Proud members of the



WHA
Water Dispenser &
Hydration Association
QUALITY • TRUST • STANDARDS