



5000 Series Single Inlet Bottled Water System

FOR HOME AND COMMERCIAL APPLIANCES



Genuine Flojet bottled water system is ideal where portable potable water is key

Pump recipe-quality water from commercial bottles to ensure better tasting hot and cold beverages. The updated 5000 Series Bottled Water System is designed to work with coffee/tea makers, refrigerator ice and water dispensers, espresso carts and portable sinks—any use requiring portable potable water.

The 5000 Series Bottled Water System is also designed for convenience. The pump automatically shuts off when the water source is depleted and restarts when water is restored. Its compact size supports easy mounting. The pump operates quietly and automatically turns on and off when the faucet is opened and closed. The system is available in 115V and 230V applications.

Features and Benefits

- **NSF Certification:** Conforms to NSF 18 standard for food and beverage dispensing equipment
- **UL Listed:** Meets electrical safety standards
- **Adjustable Seal Cap:** Fits most water containers
- **Long Life Motor:** Provides years of reliable operation
- **Quick Disconnect Ports:** Speeds life installation and replacement of suction and discharge tubing
- **Ergonomic T-Shaped Wand Handle:** Allows for ease of installation and removal of wand from bottle
- **Thermal Overload Protection:** Prevents overheating, protecting the pump and control box from damage
- **Flojet Diaphragm Pump:** Runs dry without damage, extending pump life
- **Illuminated On/Off Switch:** Provides clear visibility in dark or hard-to-reach places

5000 Series Single Inlet Bottled Water System

Additionally

- In coffee shops around the world, genuine Flojet Bottled Water Systems deliver recipe-quality water for more than two million cups of coffee a day
- Proven electric diaphragm pump technology ensures operational excellence, with more than seven million units in service
- Flojet Bottled Water Systems protect the environment by eliminating water filters from refrigerator dispensing systems, keeping more than 300,000 filters a year out of landfills
- Flojet brand builds on 40 years of operational excellence and applications expertise, with a broad range of solutions for the food and beverage industry

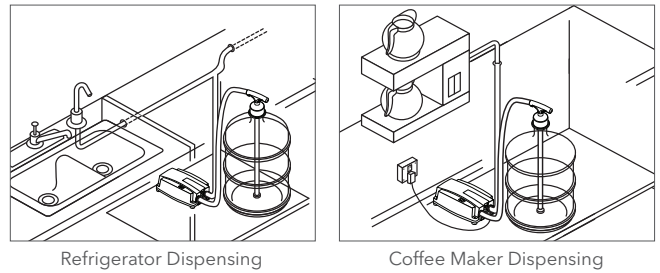
Specifications and Models

Voltage	115 VAC, 230 VAC
Frequency	50/60 Hz
Pressure	40 PSI (2.8 bar) Max
Shipping Weight	4.8 lbs (2.2 kg)
Control Box Dimensions	2.9" H x 5.1" W x 7.6" L (73.6 mm H x 129.5 mm W x 193 mm L)

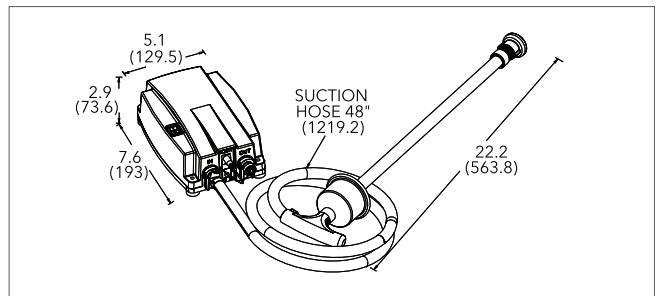
Model Number	Voltage	Plug Type	Flow Rate GPM (LPM)	Max. Amp Draw	Approvals
BW5000-000A	115 VAC	US	0.5 (1.9)	1.2 A	UL, NSF
BW5000-010A	115 VAC	US	1.0 (3.8)	3.0 A	UL, NSF
BW5002-000A	230 VAC	AU	0.5 (1.9)	1.2 A	RCM, NSF
BW5003-000A	230 VAC	UK	0.5 (1.9)	1.2 A	CE, NSF
BW5004-000A	230 VAC	EU	0.5 (1.9)	1.2 A	CE, NSF



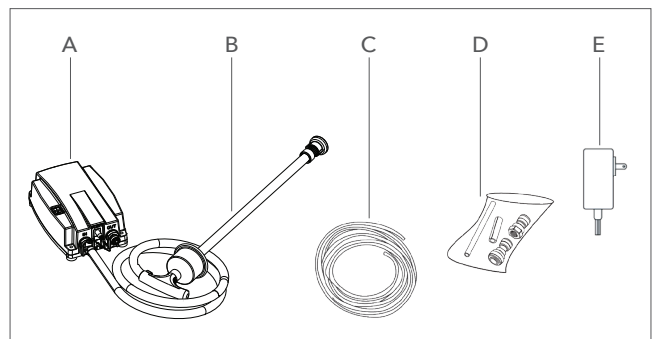
Applications



Dimensional Drawing inches (mm)



System Includes



- A. Pump Assembly with Integrated On/Off Switch
- B. Suction Wand and Hose with Adjustable Universal Seal Cap and No-Water Shut-Off Switch Integrated in the Pick-Up (PN 21000738A)
- C. Tubing, 20 ft (6.1 m) x 1/4" (6.35 mm) OD
- D. Fittings Kit (PN 21000783A)
- E. Wall Power Transformer



Warranty: All products of the company are sold and all services of the company are offered subject to the company's warranty and terms and conditions of sale, copies of which will be furnished upon request. The information provided herein is for guidance only, it does not constitute a guarantee of the performance or specification of any individual product or component.

www.xylem.com/flojet

USA Xylem Inc. 100 Cummings Center Drive Suite 535-N Beverly MA, 01915 Tel: +1 978 281 0440 Fax: +1 978 283 2619	USA Xylem Inc. 17942 Cowan Irvine, CA 92614 Tel: +1 949 608 3900 Fax: +1 949 608 3887	UK Xylem Inc. Bingley Road, Hoddesdon Hertfordshire EN11 0BU Tel: +44 (0) 1992 450145 Fax: +44 (0) 1992 467132	CHINA Xylem Inc. 30/F Tower A 100 Zunyi Road Shanghai, China 200051 Tel: +86 21 2208 2888 Fax: +86 21 2208 2999	GERMANY Xylem Inc. Oststrasse 28 22844 Norderstedt Tel: +49 40 53 53 73 0 Fax: +49 40 53 53 73 11	ITALY Xylem Inc. Via Tommaseo, 6 20059 Vimercate, Milano Tel: +39 039 685 2323 Fax: +39 039 666 307	AUSTRALIA Xylem Inc. 3/1 Federation Way Moorabbin Airport, VIC 3194 Tel: +61 3 8551 6800 Fax: +61 2 9832 6493
---	---	--	--	---	---	---